

690 Volts gG/gL NH Fuse links



Product description

Eaton's Bussmann® series 690 V a.c. NH square bodied industrial fuse links are suitable for a wide variety of applications.

Standard features

- Reliable dual indicator system
- Low temperature rise
- Globally compliant
- Compatible with Eaton's Bussmann series NH fuse bases and NH fuse gear

Catalogue symbol:

- (amp)NHG(size)B-690 with conducting metal gripping lugs
- (amp)NHG(size)BI-690 with insulated metal gripping lugs

Fuse size:

- 000 to 4*

Technical data:

- Volts: 690 V a.c.
- Amps: 2 to 800 A
- Breaking capacity: 120 kA AC
- Operating frequency: 45-62 Hz
- Class of operation: gG/gL

Standards/Approvals:

- IEC 60269
- VDE 0636
- DIN 43620

Optional microswitches:

NH Fuse body size	Suitable microswitch
Size 000	170H0236
Size 00	170H0236
Size 1	170H0236
Size 2	170H0235 or 170H0236
Size 3	170H0235
Size 4	Not available

Compatible fuse holders and fuse gear (ordered separately)

Description	Type	Data sheet number
Fuse bases 1-pole	DIN-Rail mounting SD-D	10163
	Screw mounting SD-S	10163
Fuse bases 3-pole	DIN-Rail mounting TD-D	10163
Fuse bases accessories	IP20, Shroud and phase barriers kits	10163
Fuse rails	Vertical - EBF	10240
Fuse switch disconnectors	Vertical - EBV	10275
	Horizontal - EBH Size 000	10292
	Horizontal - EBH Size 00 to 4	10293

Packaging:

- Sizes 000 to 3: 3 per carton
- Size 4: 1 per carton

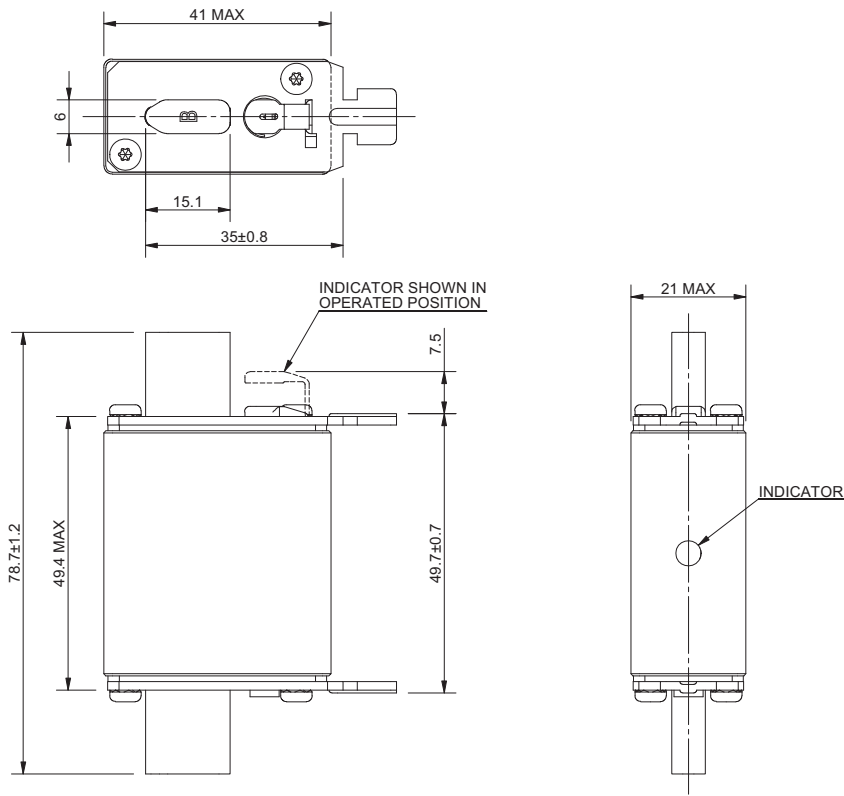
690 Volts gG/gL NH Fuse links

Table 1. Catalogue numbers

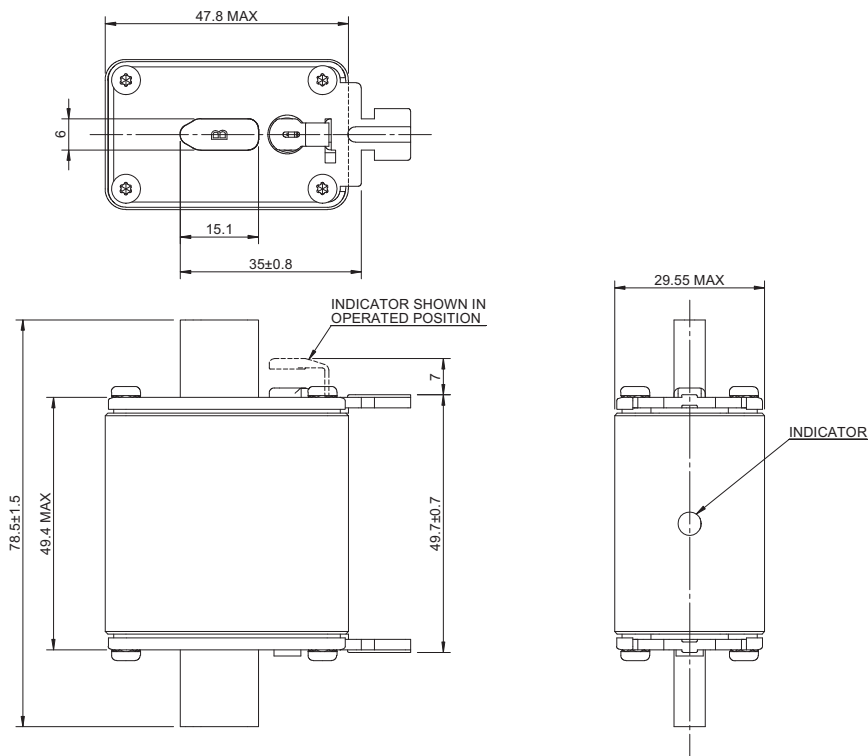
Size	Rated current (Amps)	Rated voltage (V a.c.)	gG/gL dual indicator		Pack quantity
			Voltage conducting metal gripping lugs	Insulated metal gripping lugs	
000	2	690	2NHG000B-690	N/A	3
	4		4NHG000B-690	N/A	
	6		6NHG000B-690	N/A	
	10		10NHG000B-690	10NHG000BI-690	
	16		16NHG000B-690	16NHG000BI-690	
	20		20NHG000B-690	20NHG000BI-690	
	25		25NHG000B-690	25NHG000BI-690	
	32		32NHG000B-690	32NHG000BI-690	
	35		35NHG000B-690	35NHG000BI-690	
	40		40NHG000B-690	40NHG000BI-690	
	50		50NHG000B-690	50NHG000BI-690	
	63		63NHG000B-690	63NHG000BI-690	
	00		50	660	
63		63NHG00B-690	63NHG00BI-690		
80		80NHG00B-690	80NHG00BI-690		
100		100NHG00B-690	100NHG00BI-690		
125		125NHG00B-690	125NHG00BI-690		
160		160NHG00B-660	N/A		
1	50	690	50NHG1B-690	50NHG1BI-690	
	63		63NHG1B-690	63NHG1BI-690	
	80		80NHG1B-690	80NHG1BI-690	
	100		100NHG1B-690	100NHG1BI-690	
	125		125NHG1B-690	125NHG1BI-690	
	160		160NHG1B-690	160NHG1BI-690	
	200		200NHG1B-690	200NHG1BI-690	
	224		224NHG1B-690	224NHG1BI-690	
	250		250NHG1B-690	250NHG1BI-690	
2	200	690	200NHG2B-690	200NHG2BI-690	
	224		224NHG2B-690	224NHG2BI-690	
	250		250NHG2B-690	250NHG2BI-690	
	315		315NHG2B-690	315NHG2BI-690	
3	250	690	250NHG3B-690	N/A	
	315		315NHG3B-690	N/A	
	355		355NHG3B-690	N/A	
	400		400NHG3B-690	N/A	
	425		425NHG3B-690	N/A	
	500		500NHG3B-690	N/A	
4	630	690	630NHG4B-690	N/A	1
	800		800NHG4B-690	N/A	

* Available upon request

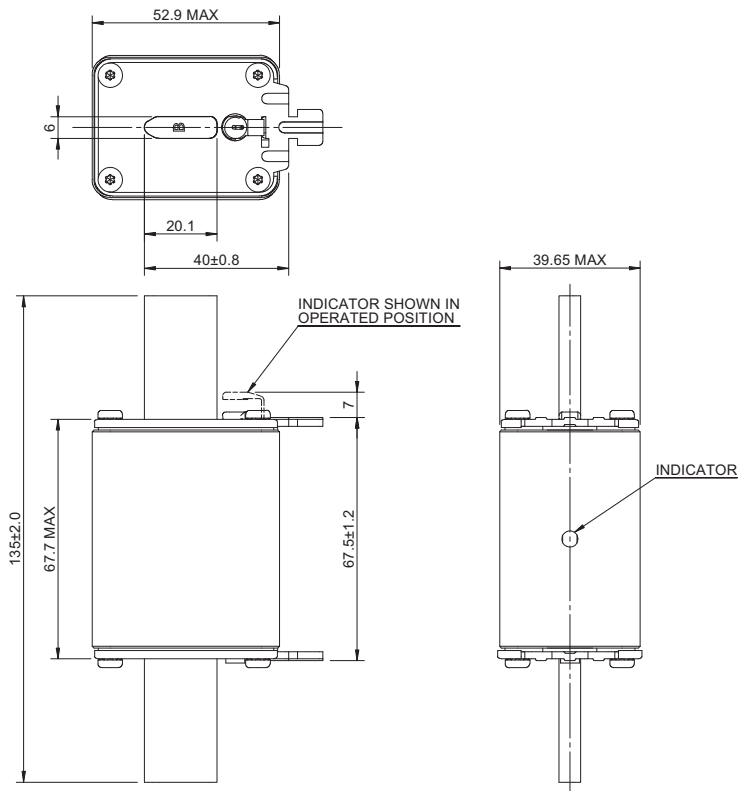
Dimensions - size 000 - mm



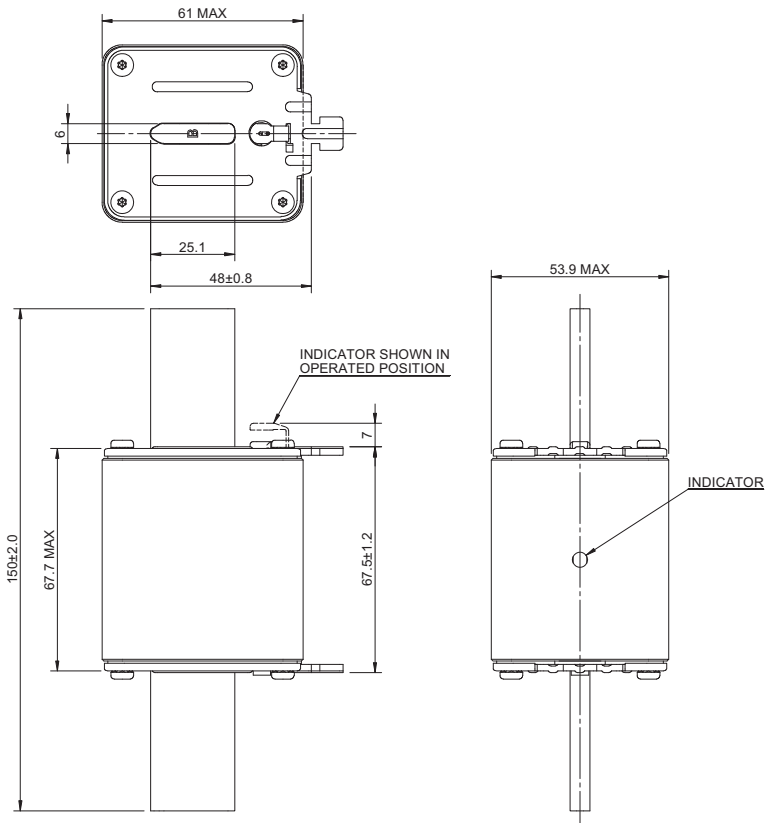
Dimensions - size 00 - mm



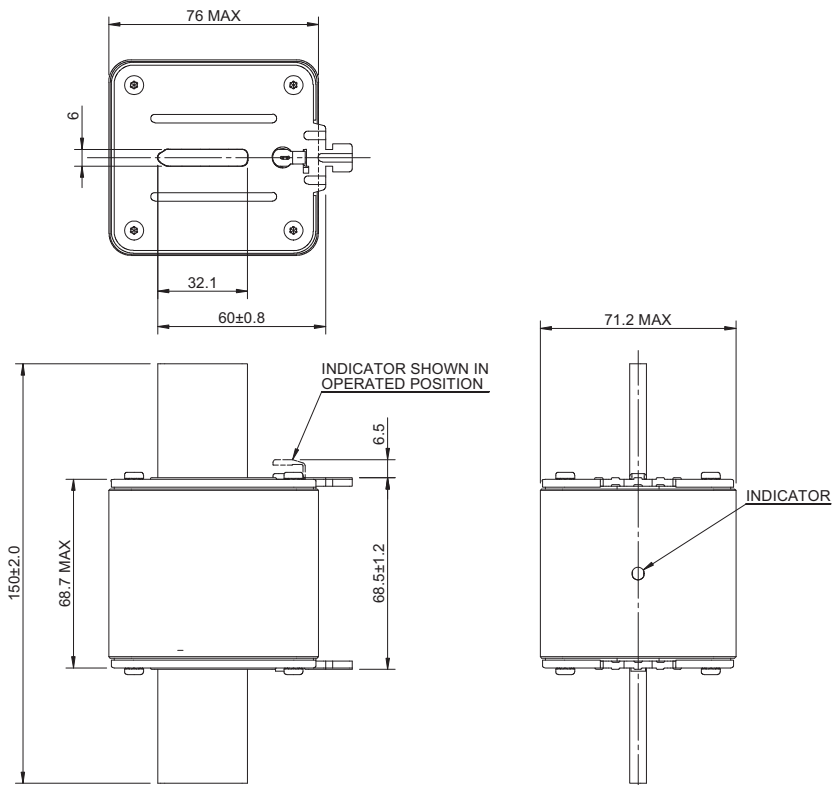
Dimensions - size 1 - mm



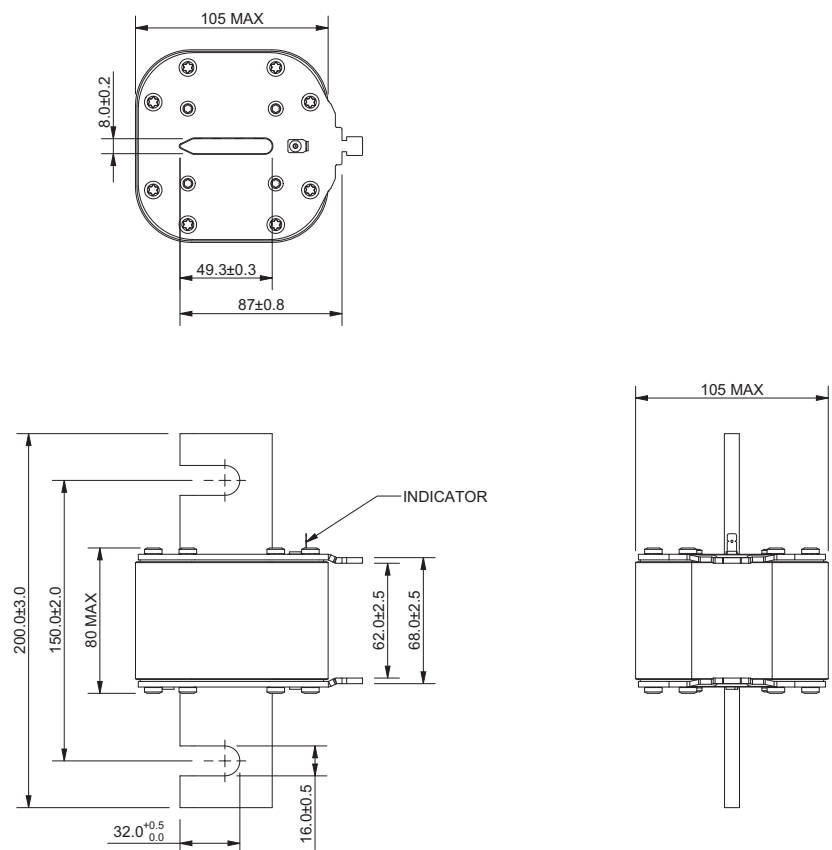
Dimensions - size 2 - mm



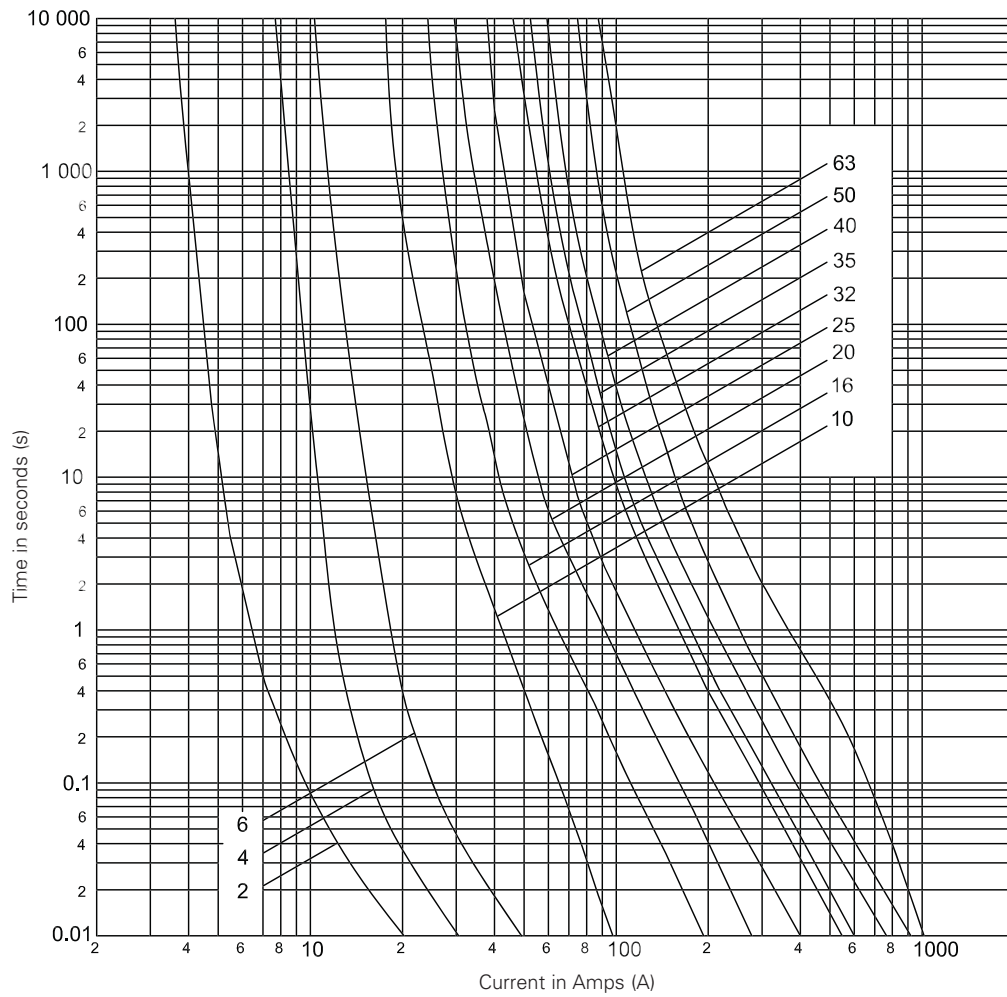
Dimensions - size 3 - mm



Dimensions - size 4 - mm



Time-current curves - NH Size 000

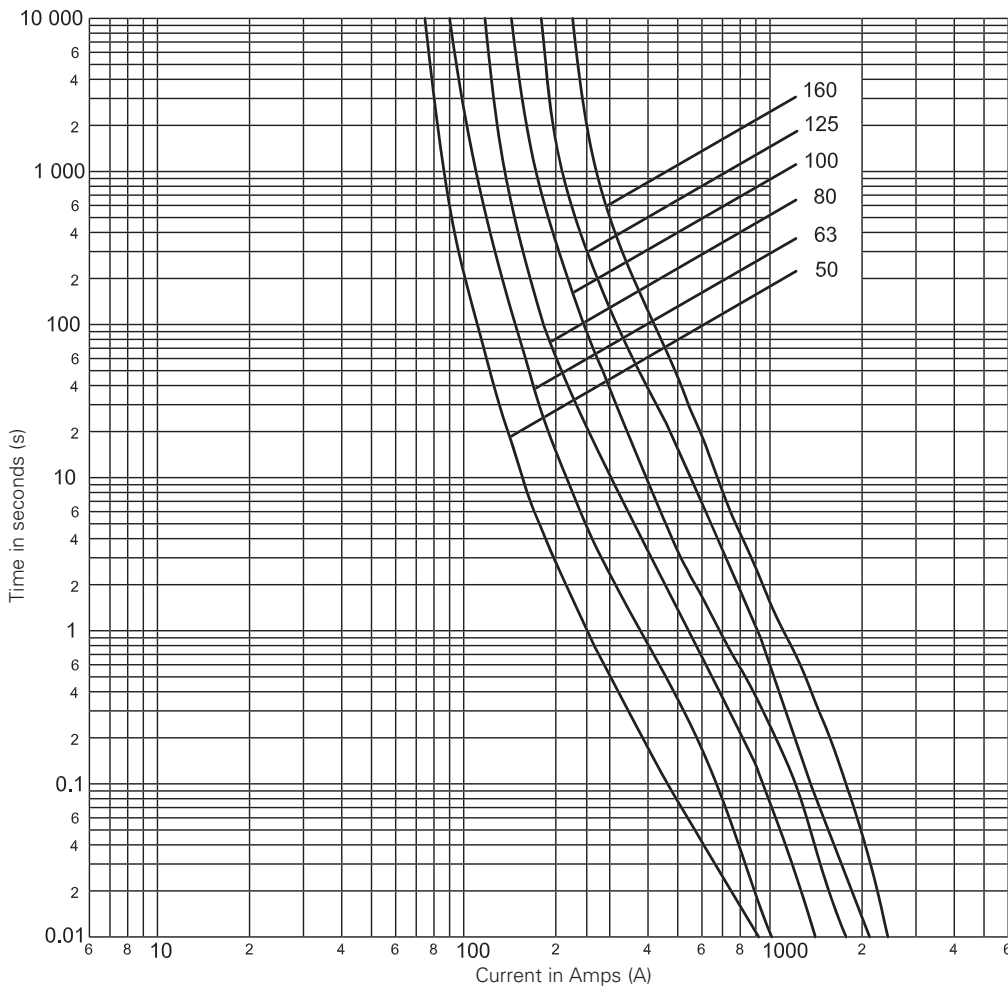


Technical data - NH size 000

Catalogue numbers with metal gripping lugs	Catalogue numbers with insulated metal gripping lugs	Fuse link size	Rated current (Amps)	Rated voltage (V a.c.)	I ² t (Amps ² Seconds)			Net weight per fuse (kg)
					Minimum pre-arcing	*I ₁ , 120kA at 690 V a.c.	Watts loss	
2NHG000B-690	N/A	000	2	690	3.5	8	4	0.118
4NHG000B-690	N/A		4		6	16	2	
6NHG000B-690	N/A		6		14	25	2	
10NHG000B-690	10NHG000BI-690		10		60	400	1.5	
16NHG000B-690	16NHG000BI-690		16		240	1200	2.5	
20NHG000B-690	20NHG000BI-690		20		500	2500	2.5	
25NHG000B-690	25NHG000BI-690		25		920	4400	3.5	
32NHG000B-690	32NHG000BI-690		32		1800	9600	3.5	
35NHG000B-690	35NHG000BI-690		35		2800	15,000	4	
40NHG000B-690	40NHG000BI-690		40		3300	15,000	4	
50NHG000B-690	50NHG000BI-690		50		6100	26,500	5.5	
63NHG000B-690	63NHG000BI-690		63		6500	30,500	5.5	

*I₁ is the maximum breaking capacity test at rated voltage according to IEC 60269 requirements

Time-current curves - NH Size 00

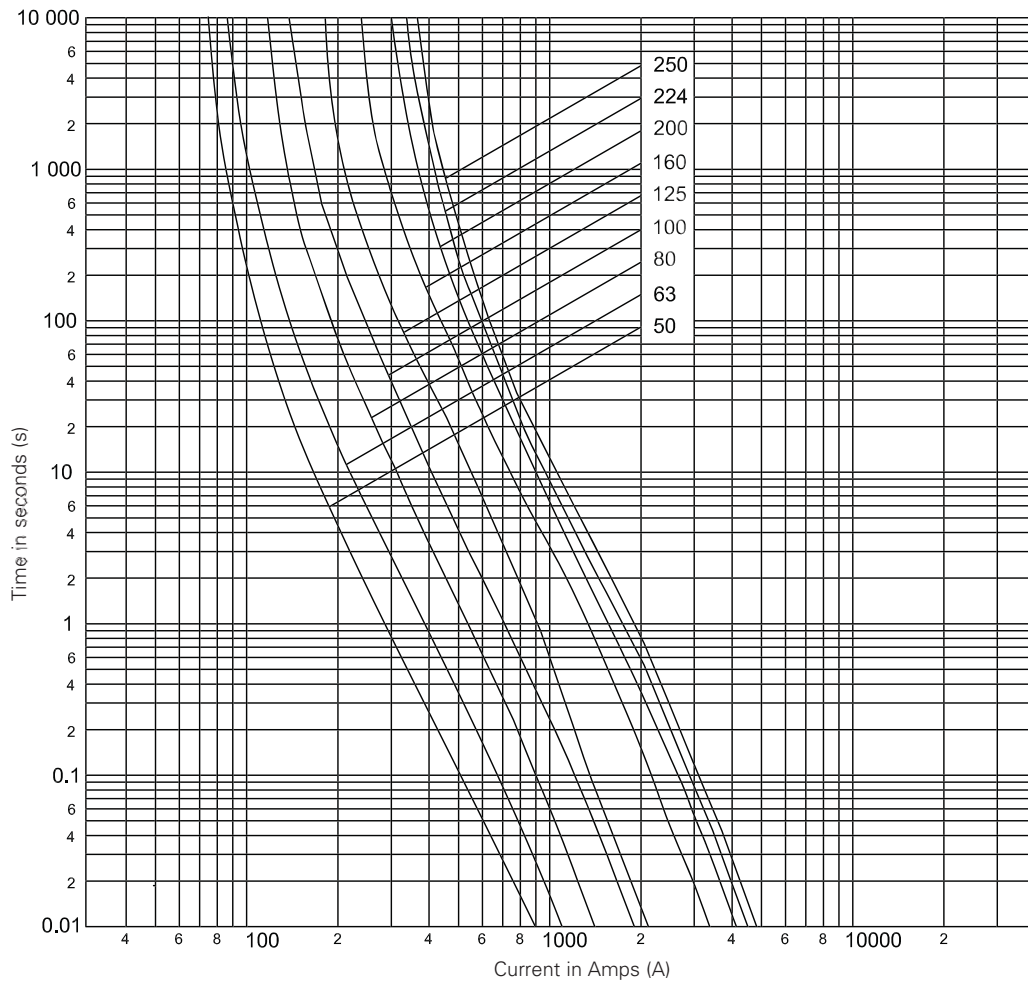


Technical data - NH size 00

Catalogue numbers with metal gripping lugs	Catalogue numbers with insulated metal gripping lugs	Fuse link size	Rated current (Amps)	Rated voltage (V a.c.)	I ² t (Amps ² Seconds)		Watts loss	Net weight per fuse (kg)
					Minimum pre-arcing	*I ₁ 120kA at 690 V a.c.		
50NHG00B-690	50NHG00BI-690	00	50	690	5800	35,000	5	0.182
63NHG00B-690	63NHG00BI-690		63		5800	43,000	5	
80NHG00B-690	80NHG00BI-690		80		11,000	54,500	7	
100NHG00B-690	100NHG00BI-690		100		19,000	92,000	7.5	
125NHG00B-690	125NHG00BI-690		125		27,500	105,000	9.5	
160NHG00B-660	N/A		160	660	40,500	135,000	13	

*I₁ is the maximum breaking capacity test at rated voltage according to IEC 60269 requirements

Time-current curves - NH Size 1

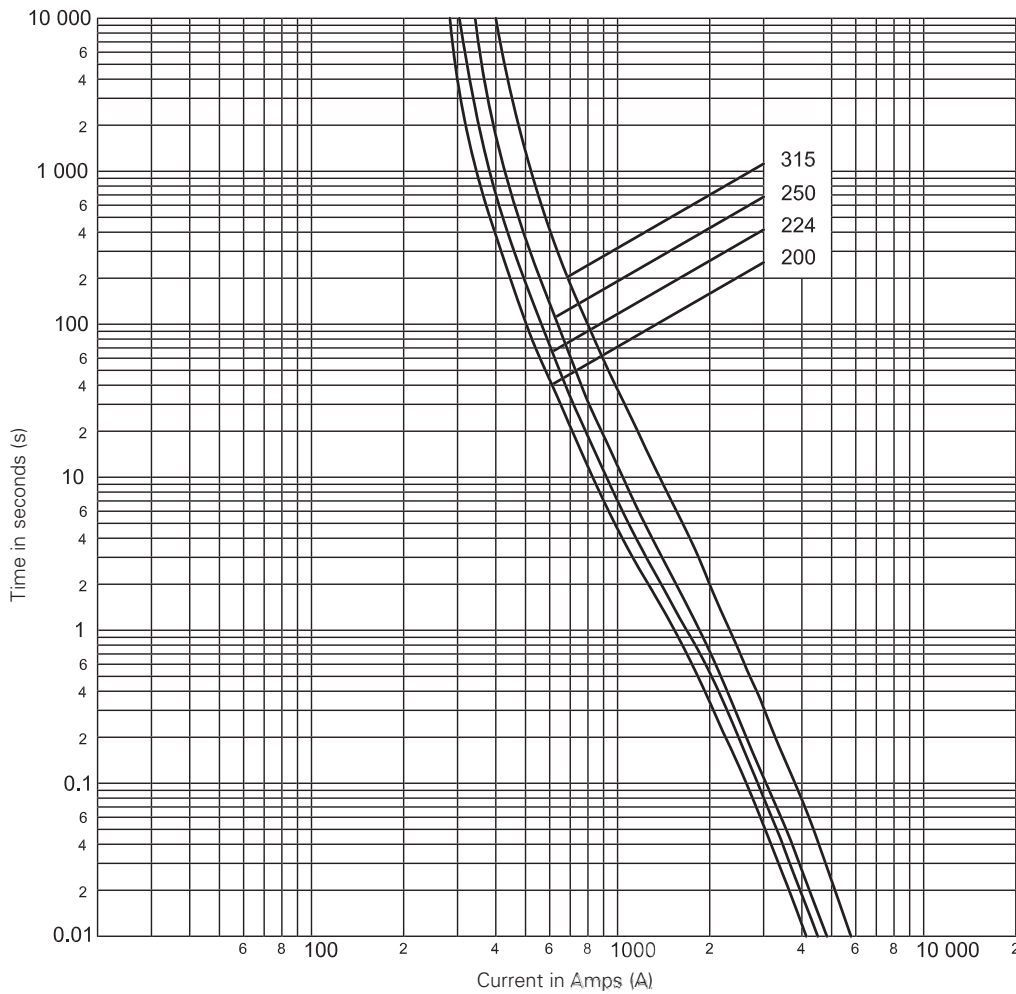


Technical data - NH size 1

Catalogue numbers with metal gripping lugs	Catalogue numbers with insulated metal gripping lugs	Fuse link size	Rated current (Amps)	Rated voltage (V a.c.)	I ² t (Amps ² Seconds)			Net weight per fuse (kg)
					Minimum pre-arcing	*I _b , 120kA at 690 V a.c.	Watts loss	
50NHG1B-690	50NHG1BI-690	1	50	690	6350	26,500	6.4	0.38
63NHG1B-690	63NHG1BI-690		63		6800	36,000	5.6	
80NHG1B-690	80NHG1BI-690		80		10,500	47,500	7.7	
100NHG1B-690	100NHG1BI-690		100		22,000	105,000	8.2	
125NHG1B-690	125NHG1BI-690		125		29,000	120,000	13	
160NHG1B-690	160NHG1BI-690		160		71,000	240,000	13	
200NHG1B-690	200NHG1BI-690		200		105,000	350,000	17	
224NHG1B-690	224NHG1BI-690		224		120,000	430,000	19	
250NHG1B-690	250NHG1BI-690		250		150,000	520,000	22	

*I_b is the maximum breaking capacity test at rated voltage according to IEC 60269 requirements

Time-current curves - NH Size 2

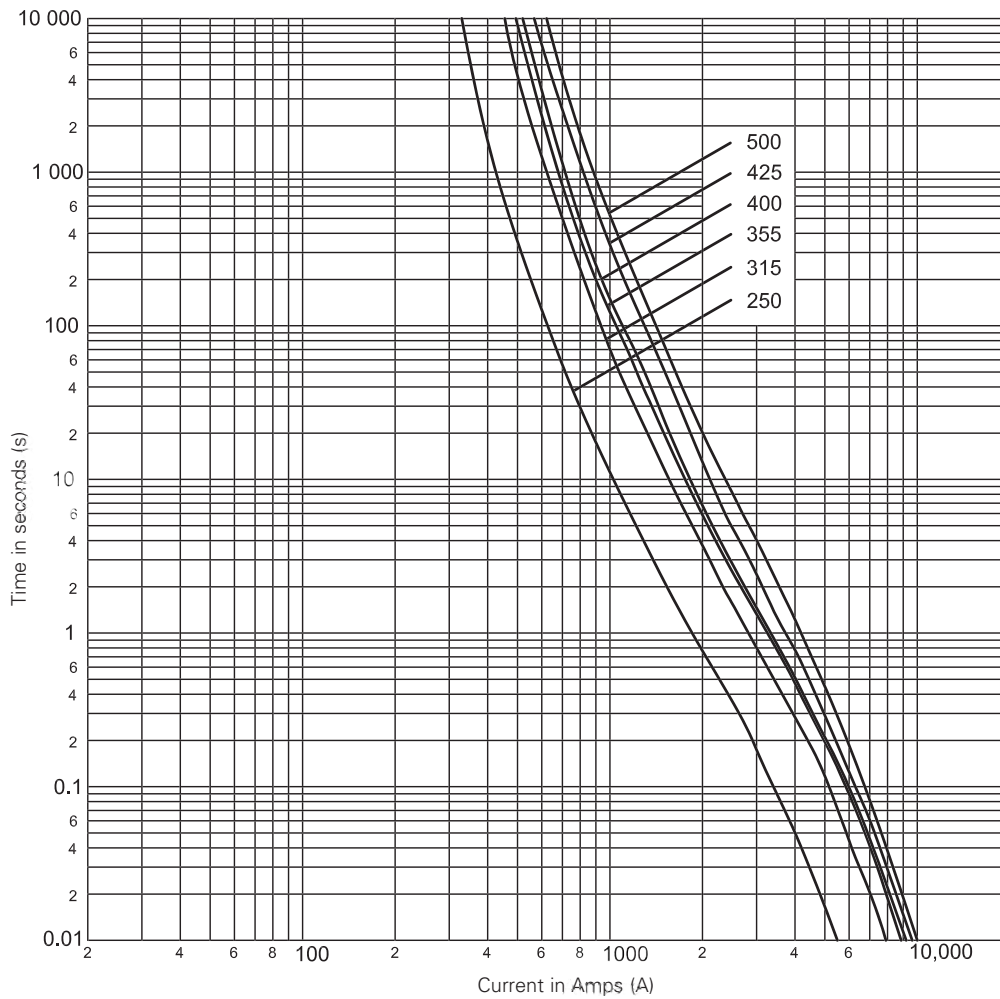


Technical data - NH size 2

Catalogue numbers with metal gripping lugs	Catalogue numbers with insulated metal gripping lugs	Fuse link size	Rated current (Amps)	Rated voltage (V a.c.)	I ² t (Amps ² Seconds)		Watts loss	Net weight per fuse (kg)
					Minimum pre-arcing	*I ₁ 120kA at 690 V a.c.		
200NHG2B-690	200NHG2BI-690	2	200	690	99,000	385,000	18	0.62
224NHG2B-690	224NHG2BI-690		224		130,000	485,000	20	
250NHG2B-690	250NHG2BI-690		250		170,000	625,000	23	
315NHG2B-690	315NHG2BI-690		315		295,000	760,000	32	

*I₁ is the maximum breaking capacity test at rated voltage according to IEC 60269 requirements

Time-current curves - NH Size 3

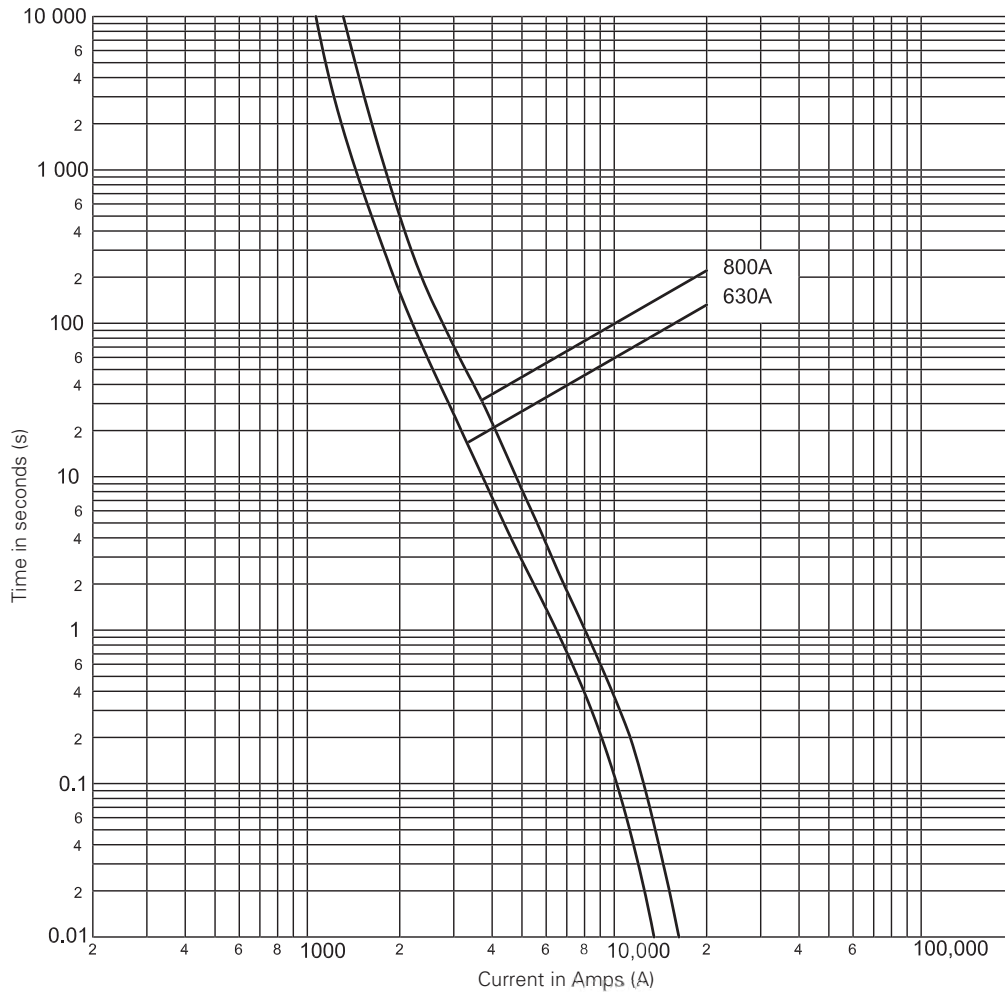


Technical data - NH size 3

Catalogue numbers with metal gripping lugs	Fuse link size	Rated current (Amps)	Rated voltage (V a.c.)	I ² t (Amps ² Seconds)			Net weight per fuse (kg)
				Minimum pre-arcing	*I ₁ 120kA at 690 V a.c.	Watts loss	
250NHG3B-690	3	250	690	160,000	715,000	21	0.38
315NHG3B-690		315		375,000	1,400,000	22	
355NHG3B-690		355		400,000	1,650,000	25	
400NHG3B-690		400		475,000	1,600,000	37	
425NHG3B-690		425		630,000	1,700,000	35	
500NHG3B-690		500		856,000	2,480,000	43	

*I₁ is the maximum breaking capacity test at rated voltage according to IEC 60269 requirements

Time-current curves - NH Size 4 Single indication slotted tags



Technical data - NH size 4

Catalogue numbers with metal gripping lugs	Fuse link size	Rated current (Amps)	Rated voltage (V a.c.)	I ² t (Amps ² Seconds)			Net weight per fuse (kg)
				Minimum pre-arcing	*I ₁ 120kA at 690 V a.c.	Watts loss	
630NHG4B-690	4	630	690	1,730,000	6,550,000	44	2.5
800NHG4B-690		800		3,330,000	11,000,000	61	

*I₁ is the maximum breaking capacity test at rated voltage according to IEC 60269 requirements

Changes to the products, to the information contained in this document, and to prices are reserved; so are errors and omissions. Only order confirmations and technical documentation by Eaton is binding. Photos and pictures also do not warrant a specific layout or functionality. Their use in whatever form is subject to prior approval by Eaton. The same applies to Trademarks (especially Eaton, Moeller, and Cutler-Hammer). The Terms and Conditions of Eaton apply, as referenced on Eaton Internet pages and Eaton order confirmations.

Eaton
 EMEA Headquarters
 Route de la Longeraie 7
 1110 Morges, Switzerland

Eaton Electrical Products Limited
 Melton Road
 Burton-on-the-Wolds
 Leicestershire, LE12 5TH
 United Kingdom

© 2017 Eaton
 All Rights Reserved
 PDF Only
 Publication No. 720109
 October 2017

Mouser Electronics

Authorized Distributor

Click to View Pricing, Inventory, Delivery & Lifecycle Information:

Eaton:

[10NHG000B-690](#) [160NHG1B-690](#) [16NHG000B-690](#) [200NHG1B-690](#) [20NHG000B-690](#) [250NHG2B-690](#)
[2NHG000B-690](#) [315NHG3B-690](#) [32NHG000B-690](#) [400NHG3B-690](#) [425NHG3B-690](#) [50NHG00B-690](#) [63NHG00B-](#)
[690](#) [63NHG1B-690](#) [6NHG000B-690](#) [80NHG00B-690](#) [100NHG00B-690](#) [25NHG000B-690](#) [35NHG000B-690](#)
[40NHG000B-690](#) [100NHG2B-690](#) [125NHG00B-690](#) [125NHG1B-690](#) [160NHG2B-690](#) [200NHG2B-690](#) [500NHG3B-](#)
[690](#) [4NHG000B-690](#) [315NHG2B-690](#) [630NHG4B-690](#) [800NHG4B-690](#) [250NHG3B-690](#) [50NHG000B-690](#)
[160NHG00B-660](#)